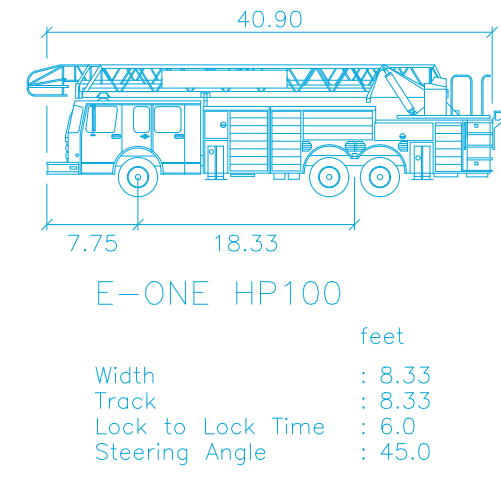
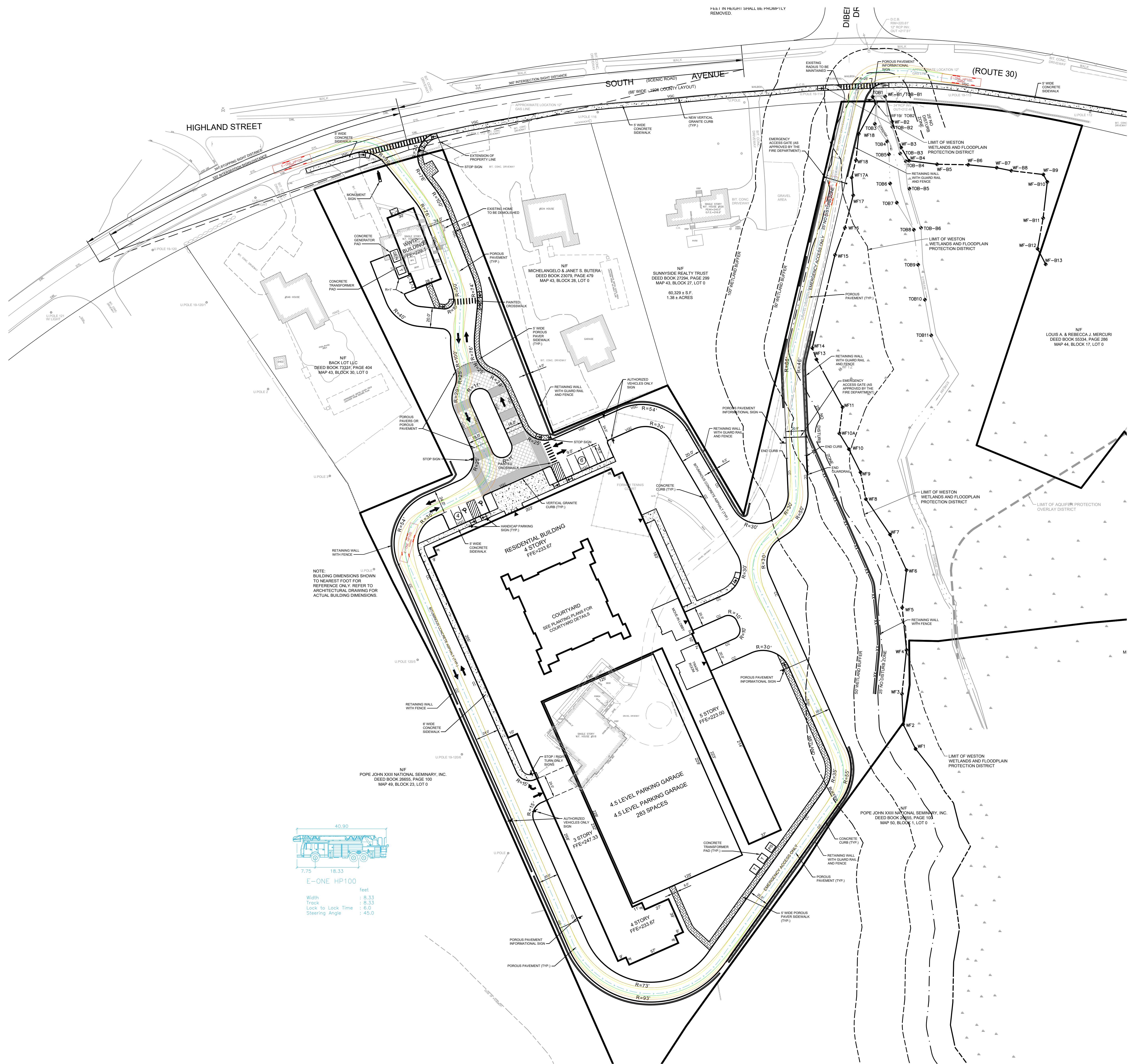


9/22/2021 9:57:59 AM - P:\26700143-26700-19002\CAD\PROJECTS\AUTO TURN\9-2021\DWG - PAPPAS_JUD



MARK	DATE	DESCRIPTION	BY	MARK	DATE	DESCRIPTION
1	6/21/19	COMPREHENSIVE PERMIT		8	9-22-21	REVISED LAYOUT
2	6/15/20	NOI FILING				
3	9/6/20	REVISED GRADING AND SEDIMENT CONTROLS				
4	10/20/20	REVISED NOI PLANS				
5	3/19/21	REVISED PER FEED REVIEW COMMENTS				
6	4/27/21	REVISED COMPREHENSIVE PERMIT SET				
7	7/8/21	REVISED DRIVEWAY LAYOUT				

Client: HANOVER S.S. LIMITED PARTNERSHIP
143-26700-19002
Comprehensive Permit Plans
Hanover - Weston
E-One Ladder Truck
Turning Plan

Project No.: 143-26700-19002
Designed By: N.H.C.
Drawn By: J.L.P.
Checked By: N.H.C.